



ALUMINUM CASES ARE ALL WE DO

DOWNHOLE TOOL CHEST - MODEL 11445

Case Style:	ALL WELDED - VALANCE Construction
Internal Dimensions:	70" L x 7.75" W x 7.785" H (Bottom 5.393" H- Lid 2.393"H) L = left-to-right dimension W = back-to-front dimension H = top-to-bottom dimension
Material:	.090 5052 H32 Aluminum – Satin (Mill) Finish
Standard Features:	<ul style="list-style-type: none">◇ Manufactured in America (Chicago, IL) with aluminum that was melted, rolled and processed in the United States◇ Valance Mating Edge for Case Shells [Aluminum Extrusion]◇ All Seams, Corners and Joints – Pulse MIG Welded◇ Weather Resistant Seal on Lid – O Ring Style [Neoprene Cord]◇ Four (4) Recessed Mount Twist Latches [Plated Steel]◇ Three (3) Recessed Handles [Plated Steel]◇ Full Length Continuous Hinge [Aluminum]◇ Eight (8) Glides [Plated Steel]◇ Cover Stay [Steel Plated Sash Chain]
Interior:	2Lb Polyethylene Foam Blocking Per Client's Tool Specification
Finish:	None – Mill Finish

3333 W 48th Place
Chicago, IL 60632

MAIN (773)-247-4611
FAX (773)-247-8376

WWW.ALUMINUMCASECO.COM



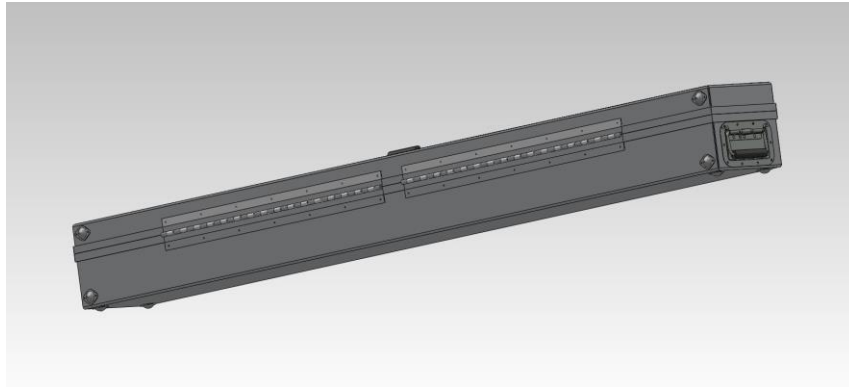
ALUMINUM CASES ARE ALL WE DO

Photos:

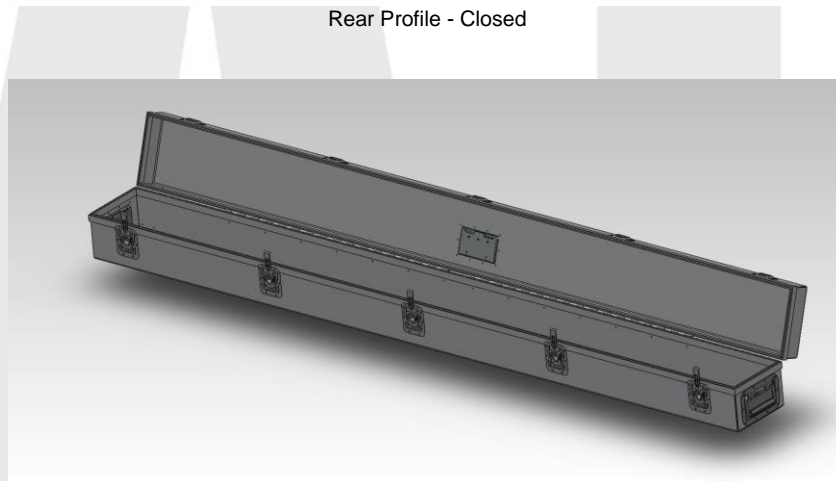
Weld Beads, Rivets Not Shown - Drawings to Demonstrate Case Configuration Only



Front Profile - Closed



Rear Profile - Closed



Front Profile - Open

3333 W 48th Place
Chicago, IL 60632

MAIN (773)-247-4611
FAX (773)-247-8376

WWW.ALUMINUMCASECO.COM